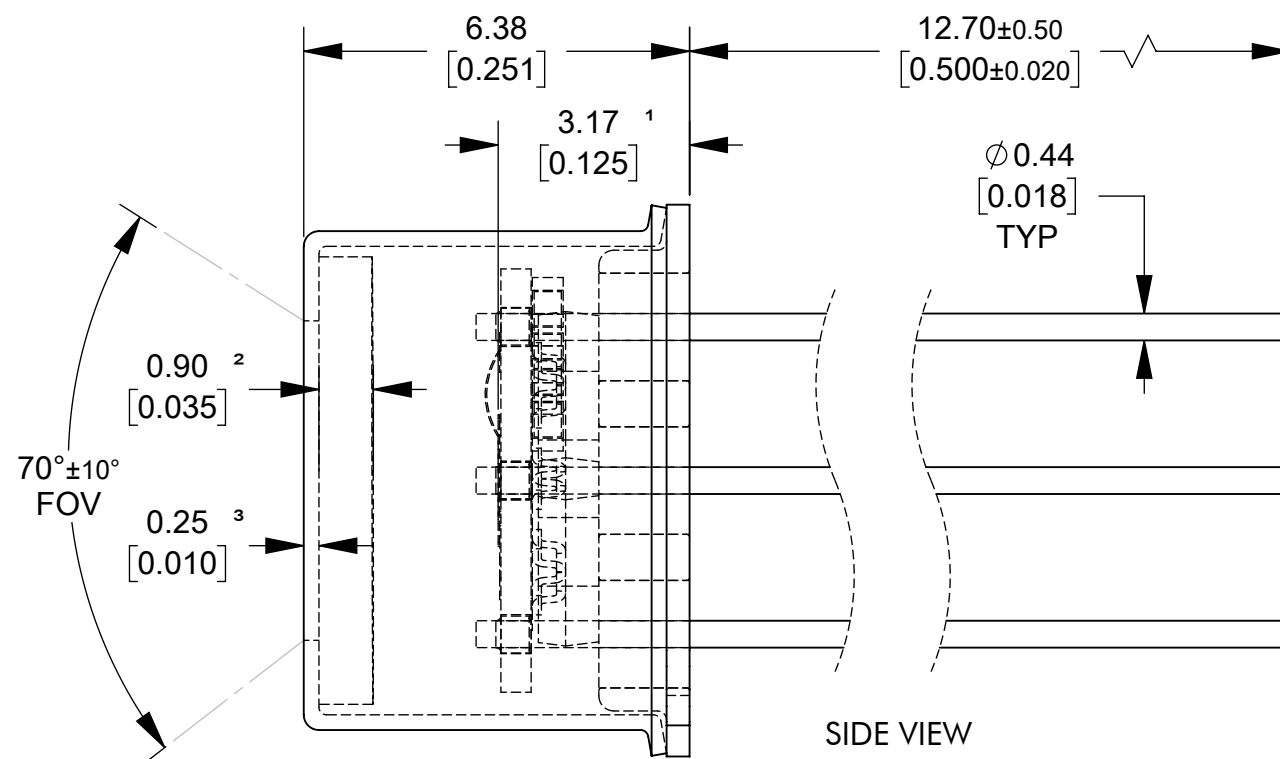


TOP VIEW

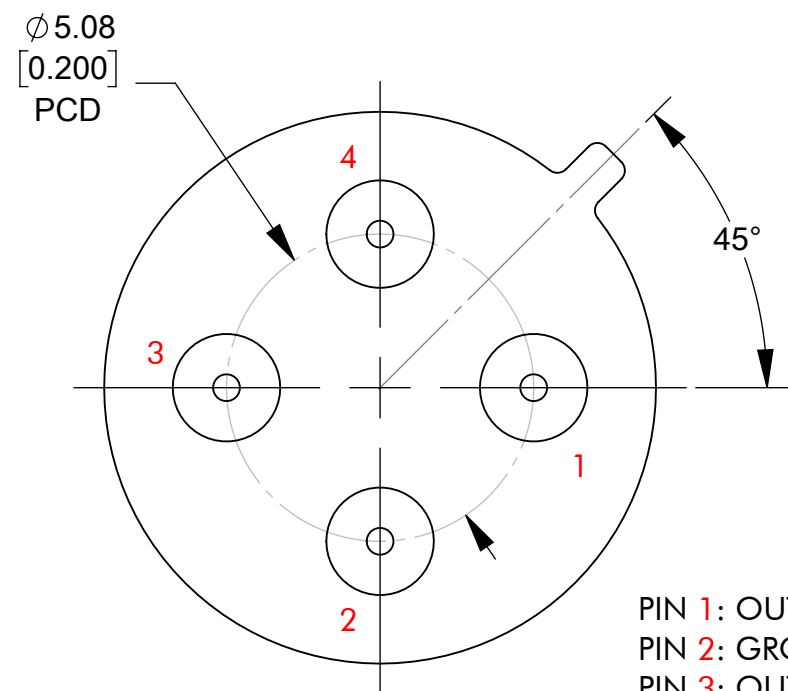


SIDE VIEW

¹ Distance from top of active area to bottom of header.

² KBr window thickness. Wedged, 0.2°, measurement at thickest edge.

³ Distance from top of device to top of window.




BOTTOM VIEW
ALL DIMS TYP

PIN 1: OUTPUT 1
PIN 2: GROUND
PIN 3: OUTPUT 2
PIN 4: V+



REV.	DESCRIPTION	DATE	REVISED BY
B	Pin 2 revised from V+ to GROUND, pin 4 revised from GROUND to V+. Updated Titleblock with new logo and two place decimal standard tolerance trailing zero.	20-JUL-2022	A. GROTHUSEN
A	Initial Release.	10-FEB-2022	A. GROTHUSEN
REVISION			

Drawn By: <i>Alex</i>
On: 20-JUL-2022
Drafting:
Engineering: <i>Kyle</i>
Production: <i>[Signature]</i>



LASER COMPONENTS®

PROPRIETARY AND CONFIDENTIAL
THE INFORMATION CONTAINED IN THIS DRAWING IS THE SOLE PROPERTY OF LASER COMPONENTS. ANY REPRODUCTION IN PART OR AS A WHOLE WITHOUT THE WRITTEN PERMISSION OF LASER COMPONENTS IS PROHIBITED.

UNLESS OTHERWISE SPECIFIED:
DIMENSIONS ARE IN MM [IN]
STANDARD TOLERANCES - MM:
ANGULAR: ±5°
ONE PLACE DECIMAL: ±0.5
TWO PLACE DECIMAL: ±0.10

TITLE: DD3151D1300-k2 4-Pin TO-39 Top Assembly		
Product Outline Drawing		
SIZE DWG. NO. B 100500	REV B	
SCALE: 8:1	SHEET 1 OF 1	